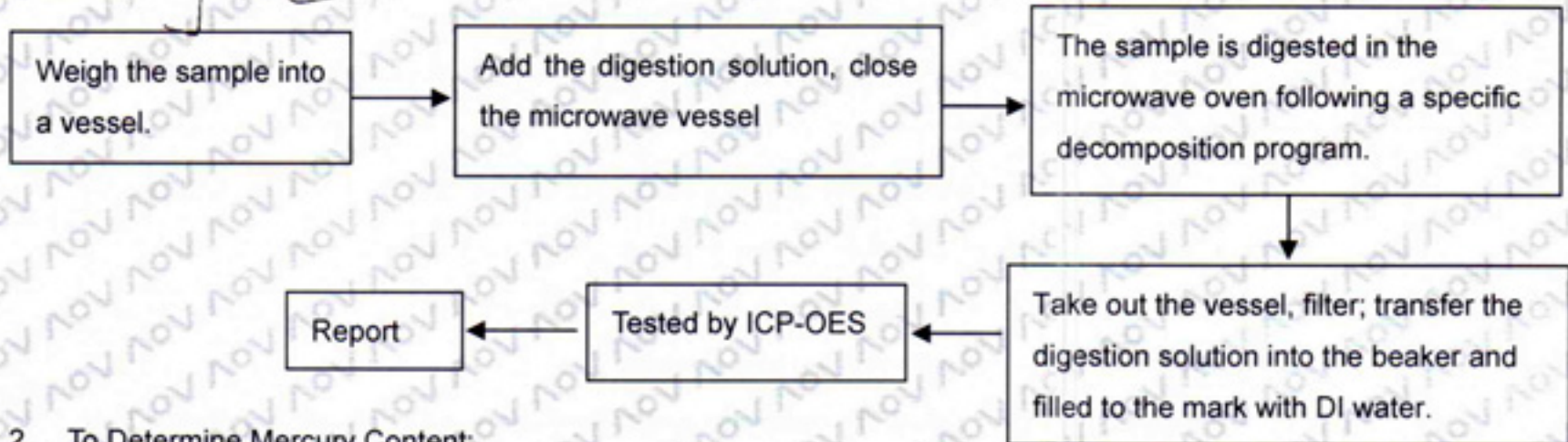


Test Flow:

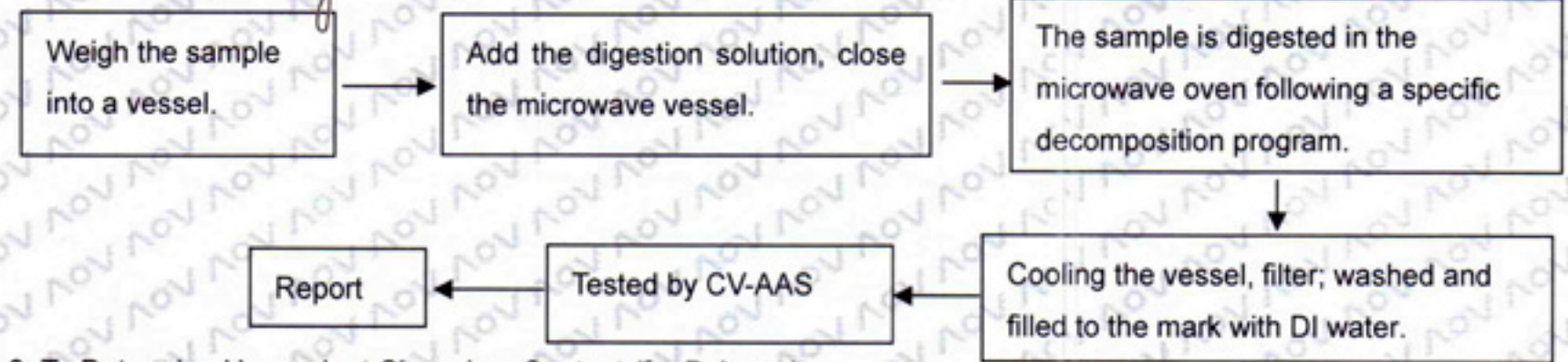
1. To Determine Lead, Cadmium Content:

Tested by: *Jure*



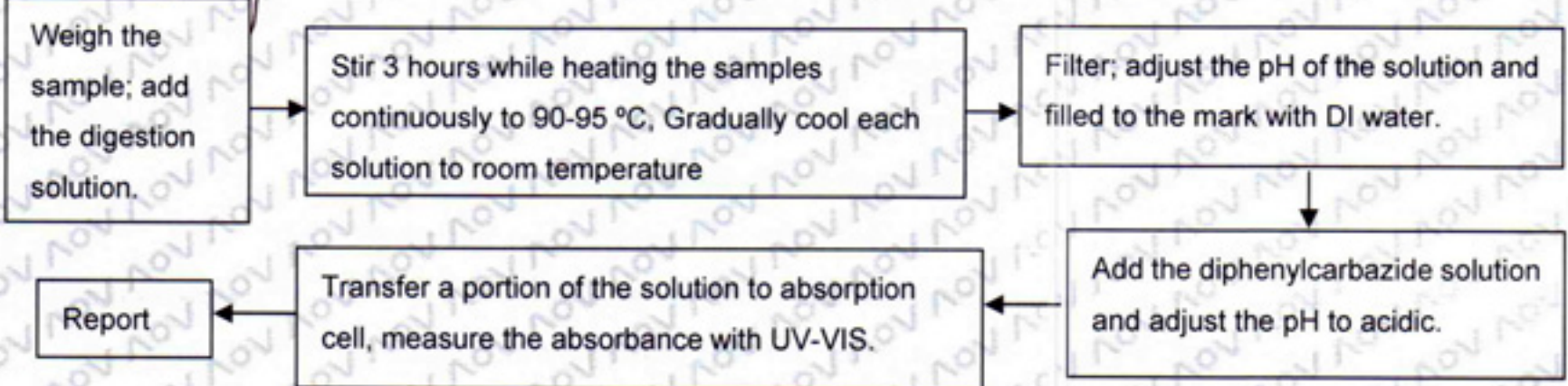
2. To Determine Mercury Content:

Tested by: *Rosam*



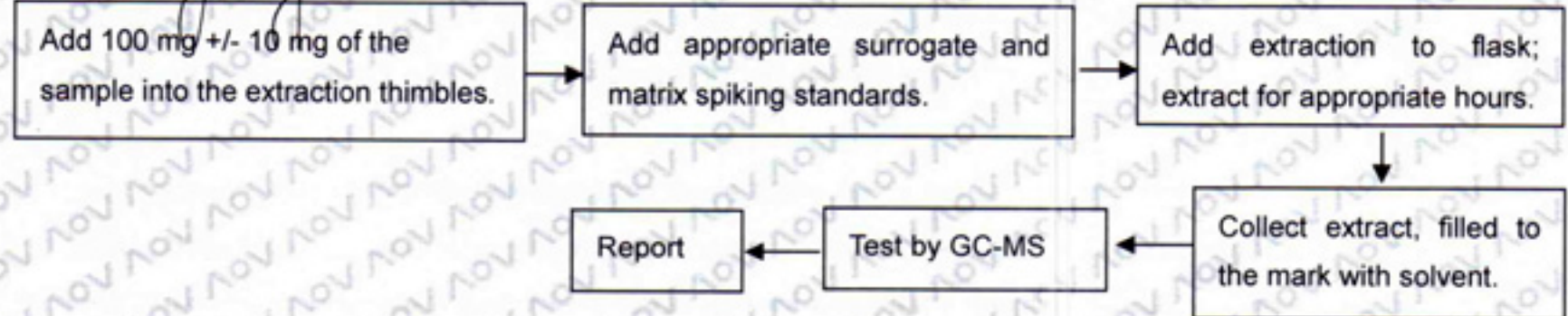
3. To Determine Hexavalent Chromium Content (for Polymer):

Tested by: *Gary*



4. To Determine PBBs/PBDEs Content:

Tested by: *Young*



This Test Report is issued by the Company subject to its Conditions of Issuance of Test Report printed overleaf or attached. The results shown in this Test Report refer only to the sample(s) tested unless otherwise stated and such sample(s) are retained for 30days only. This Test Report shall not be reproduced expected in full, without written approval of the Company.

